

N 50, BUILT-IN MICROWAVE, BLACK
HLAWD23NOB



A must for any household - a built-in microwave designed to coordinate with N50 ovens

- ✓ Side-opening hinged door - A smart twist for the elevated installation.
- ✓ Control Dials & One-Touch Buttons - select the right programme using your intuition
- ✓ LED-Display - simple, straightforward for clear reading
- ✓ Automatic programmes - Your kitchen helper with just the right default settings.
- ✓ LED lights - Bright illumination exactly where you need it.

Features

Technical Data

Type of micro-wave oven:	MW only
Type of control:	Electronic
Dimensions:	382x594x317 mm
Cavity dimensions:	201 x 308 x 282 mm
Length electrical supply cord:	130 cm
Net weight:	15.9 kg
Gross weight:	18.2 kg
EAN code:	4242004222774
Maximum micro-wave power:	800 W
Connection Rating:	1270 W
Fuse protection:	10 A
Voltage:	230-240 V
Frequency:	50 Hz
Plug type:	GB plug



N 50, BUILT-IN MICROWAVE, BLACK HLAWD23NOB

Features

Design

- LED display, white
- Electronic clock timer
- Left hinged door
- 25.5 cm Glass turntable
- Cavity inner surface: stainless steel
- Bevelled oval controls, Retractable controls dials, Touch control, round, Start button With Steel Trim

Features

- Automatic safety switch off
- Door contact switch
- Cooling fan
- Memory function
- LED light
- Open Button, electronic

Programmes/functions

- 90-180-360-600-800 Watts and the following options: 180 W, 360 W, 600 W, 800 W, 90 W
- Number of automatic programmes: 7 PC
- 4 defrost and 3 cooking programmes in microwave function

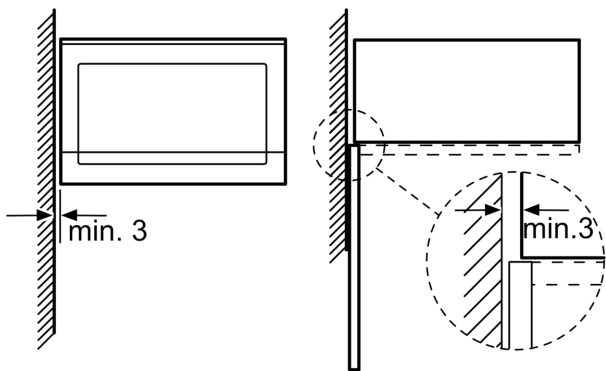
Performance/technical information

- Cavity volume: 20 l
- 130 cm Cable length
- Total connected load electric: 1.27 KW
- Nominal voltage: 230 - 240 V
- Appliance dimension (hxwx): 382 mm x 594 mm x 317 mm
- Niche dimension (hxwx): 362 mm - 365 mm x 560 mm - 568 mm x 300 mm
- Ventilation requirements – please refer to the installation manual prior to fitting

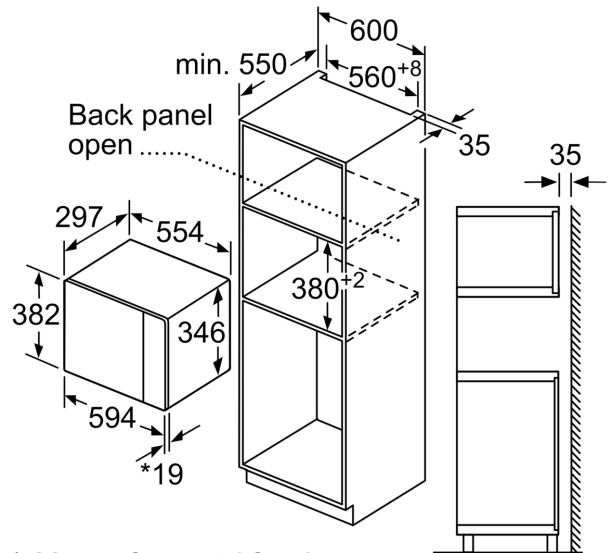
N 50, BUILT-IN MICROWAVE, BLACK
HLAWD23NOB

Dimensioned drawings

Microwave,
corner installation



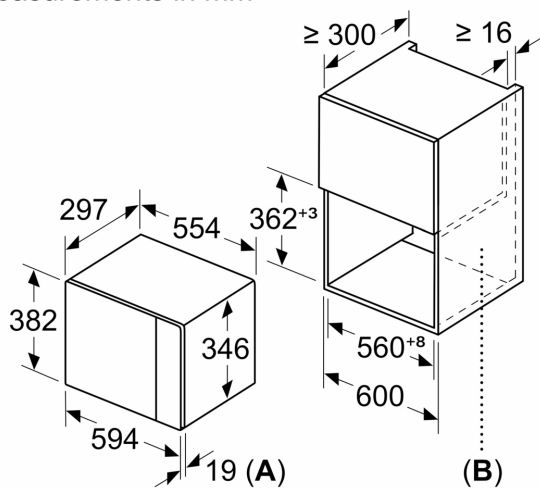
Measurements in mm



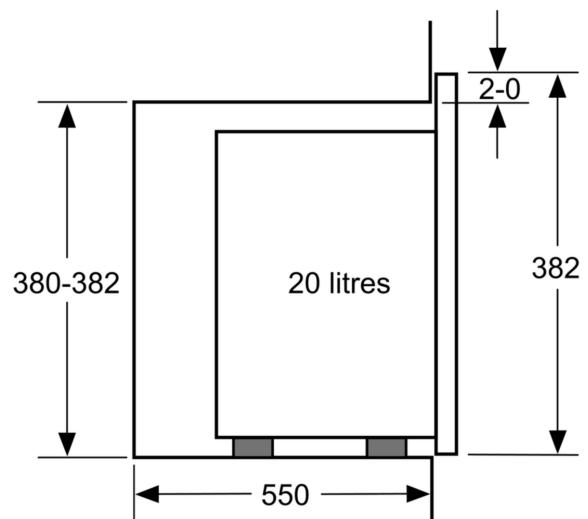
* 20 mm for metal fascia

measurements in mm

Measurements in mm



A: 20 mm for metal fascia
B: Back panel open



measurements in mm

Dimensioned drawings

